

# **L4000G4 with MultiBin**

**Crop Nutrient Applicators**



**NEW LEADER**



# *The New Leader G4 variable rate broadcaster spreads material faster, wider and more consistently, even in changing weather conditions.*



## **L4000G4 Fertilizer & Lime Spreader**

The L4000G4 uses the best components as standard equipment. New Leader carefully sources, manufactures and tests every component to maximize the swath width and ensure the most accurate spread pattern.

## **Patented G4 Spinner Assembly (Patent #6,517,218)**

The New Leader G4 variable rate broadcaster spreads material faster, wider and more consistently, even in changing weather conditions. With suggested settings for fertilizer, urea, ag lime, and wet lime, the L4000G4's spinner assembly simplifies spread pattern testing and daily application while consistently applying up to 105' (32m) spread patterns with fertilizer and 60' (18m) with ag lime.

The spinner motor features a stainless steel shaft sleeve and heavy-duty bearing assembly to extend the life of the motor seals while the belt-over-chain conveyor provides the durability needed for spreading ag lime and uninterrupted delivery needed for fertilizer.



## **Precision Ag Control Systems**

Ag Leader's DirectCommand™ system, controlled through the INTEGRA™ or EDGE™ display, offers complete control over application operations. Both full-color, touchscreen displays offer real-time coverage mapping and data logging, in addition to easy installation and operation. DirectCommand's AutoSwath feature reduces overapplication

by automatically turning the applicator on/off. The EDGE display

offers the capability for dual-product control, while the

INTEGRA display can control application for up to

four products and also includes the Smart Report™

feature for easy application reporting.



***Get the job done more accurately and in less time.***



# L4000G4 with MultiBin

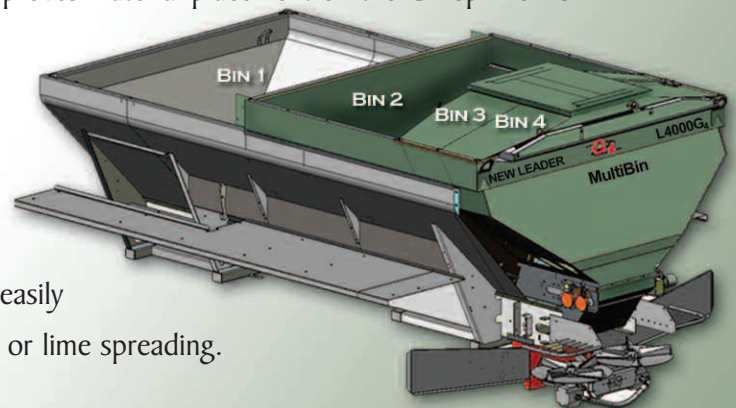


## **MultiBin Fertilizer & Micronutrient Spreader**

The MultiBin increases efficiencies by consistently broadcasting materials from three or four bins, independently or together, for straight and variable rate applications. When installed in the L4000G4, the MultiBin transforms a single hopper into three. The micro-nutrient hopper can also be split to create a fourth hopper. The front hoppers dispense fertilizer products while the hoppers at the rear dispense micro-nutrients or seeding products.

The large capacities of each hopper allow users to cover more acres and reduce fill time. The rear bins slope forward to improve chassis weight distribution and a new material divider improves material placement on the G4 spinner for a more effective spread pattern.

Constructed of 304 stainless steel to prevent corrosion, the MultiBin features an optional micronutrient cover which opens and closes with a stainless steel air cylinder, and optional low-bin sensors in each bin to know when to refill. The MultiBin may be easily installed and removed from the L4000G4 for single-bin fertilizer or lime spreading.



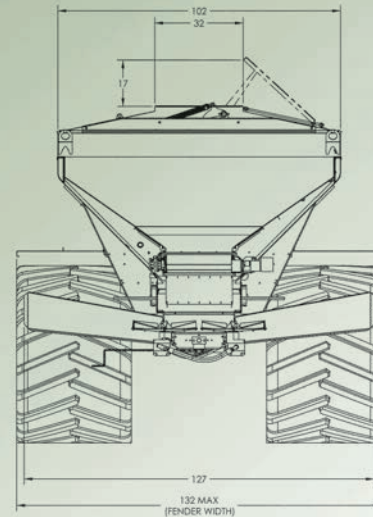
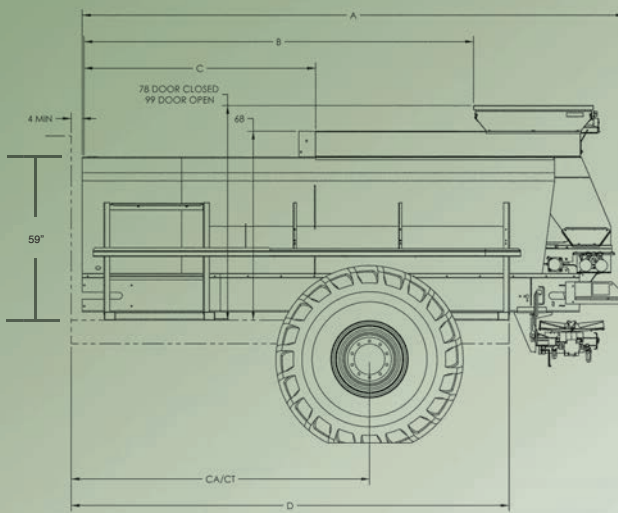
## **MultiBin Features & Benefits**

- Wider spread patterns reduce time in the field.
- Fewer trips across the field reduce soil compaction.
- Fewer moving parts compared to air machines reduce maintenance expenses.
- New Leader G4 spinner technology delivers wide, accurate spread patterns, even on windy days.



***The large capacities of each hopper section allow users to cover more acres and reduce fill time.***

# L4000G4 with MultiBin Specifications



## Specifications

Dimensional - inches (cm)	13' (4m)		14' (4.3m)	
	w/o sideboard option	with sideboard option	w/o sideboard option	with sideboard option
Overall Length (A)	184 (467)	184 (467)	196 (498)	196 (498)
Front of Bin 1 to Rear of Bin 2 (B)	129 (328)	129 (328)	141 (358)	141 (358)
Bin 1 Opening (C)	72 (183)	72 (183)	84 (213)	84 (213)
Frame Length (D)	147 (373)	147 (373)	159 (404)	159 (404)
Cab to Axle or Tandem (CA/CT)	102-108 (259-274)	102-108 (259-274)	120 (305)	120 (305)
Capacity - cubic ft. (cu.m)				
Struck capacity L4000 w/o MultiBin	277 (7.84)	N/A	300 (8.50)	N/A
Struck capacity L4000 w/MultiBin	127 (3.60)	165 (4.67)	149 (4.22)	194 (5.49)
Struck capacity MultiBin Bin 2	143 (4.05)	143 (4.05)	143 (4.05)	143 (4.05)
Struck capacity MultiBin Bin 3	23 (.65)	23 (.65)	23 (.65)	23 (.65)
Struck capacity MultiBin Bin 4	21 (.59)	21 (.59)	21 (.59)	21 (.59)
Estimated Weight - lbs. (kg)				
L4000G4 spreader w/o MultiBin	3680 (1669)	3830 (1737)	3930 (1783)	4090 (1855)
MultiBin	1695 (769)	1695 (769)	1695 (769)	1695 (769)

**Cab To Axle (CA) Measurement:** Please consult federal, state, and local weight laws and chassis manufacturer's ratings to ensure neither government weight restrictions nor the GVWR and GAWRs are exceeded. Tire and tandem axle size may require mounting modification of optional mud flaps.

**Highway Equipment Company**  
**1330 76th Ave. SW • Cedar Rapids, IA 52404-7052**  
**Phone: 319/363-8281 or 800/363-1771**  
**FAX: 319/286-3351 or 800/363-8267**  
**www.HighwayEquipment.com**



Products and specifications subject to change without notice.  
 Photos and illustrations may or may not include optional equipment.  
 INTEGRA™, EDGE™, AutoSwath™, DirectCommand™, Smart Report™ and  
 Ag Leader Technology® are trademarks of Ag Leader Technology.  
 New Leader® is a registered trademark of Highway Equipment Company.  
 Copyright 2010 Highway Equipment Company, Inc. Form No. NL085-2010-10

Highway Equipment Company products are covered by one or more of the following U.S. patents:  
 5,355,815; RE35,100; 5,757,640; 5,870,686; 5,913,915; 6,089,743; 6,092,966; 6,122,581; 6,198,986; 6,230,091; 6,510,367 B1; 6,517,281; 6,520,458; 6,817,551.

These products are covered by one or more of the following U.S. patents:  
 RE35,100, 4,630,773, 5,355,815, 5,757,640, 5,870,686, 5,913,915, 6,089,743, 6,122,581, 6,198,986, 6,230,091, 6,817,551, 6,517,281.